

FEATURES

- Up to 9.7 EER cooling efficiency
- Completely self-contained heating and cooling package
 - No outside condensing unit
 - No external refrigerant lines
 - No separate cooling coil
 - No separate venting system
- Pre-wired and pre-charged
- Individually metered and controlled
- Slide-out cooling chassis
- Internal vent system (direct vent)

REFRIGERANT SYSTEM

- High efficiency compressor
- Copper tubing with enhanced fin coils

HEAT EXCHANGER

- Standard aluminized steel tubular heat exchanger
- Optional 409 stainless steel heat exchanger

CABINET

- Attractive, neutral-toned finish

BLOWER

- Multispeed motor for wide airflow range
- PSC permanently lubricated motor for low maintenance and maximum efficiency
- Dynamically balanced blower with resilient motor mounts for smooth and quiet operation
- Internal washable filter

CONTROLS

- Color coded wiring for easy service

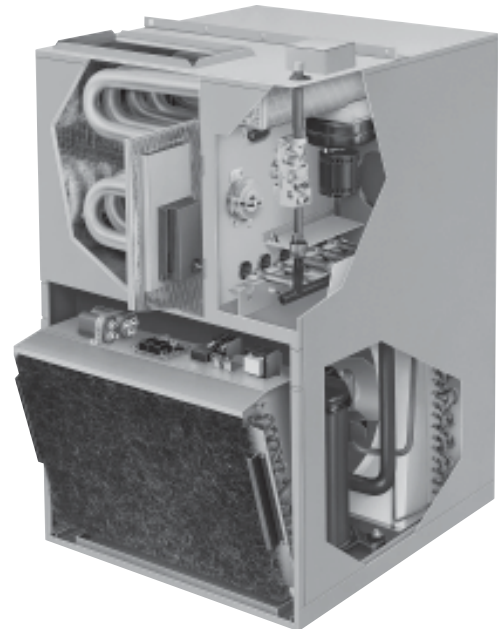
INSTALLATION

- Easy to install and service

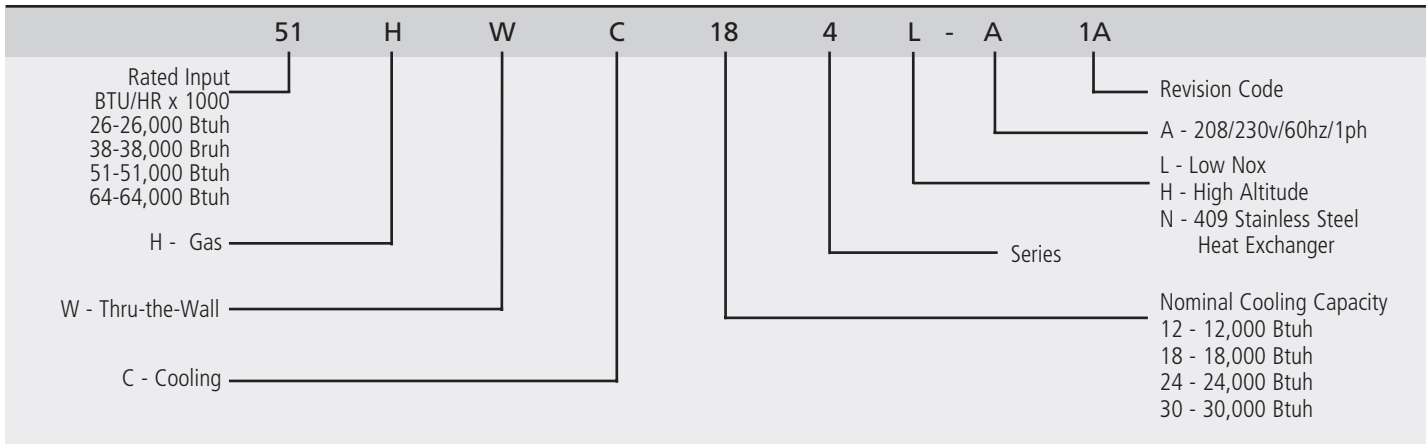
WARRANTY

- 5 year limited warranty on all parts
- 10 year non-pro-rated warranty on aluminized heat exchanger
- 20 year pro-rated warranty on stainless steel heat exchanger

HWC



Model Number Guide



Electrical and Physical Data

Model	Voltage/ Hz/ Phase	Voltage Range	Min. Circuit	Max. Fuse/ HACR Brkr.	Compressor		Outside Fan				Indoor Blower		R22 Refrig. Charge (oz.)	Weight (lbs.)
					Rated Load Amps	Locked Rotor Amps	Dia. (in.)	Nom. RPM	Rated Load Amps	Rated HP	Wheel dia x wid. (in.)	Rated HP		
26HWC124	208-230/60/1	197 - 253	7.9	15	4.7	27.0	18	1075	0.9	1/8	10 x 4	1/6	34	325
38HWC124														
38HWC184	208-230/60/1	197 - 253	14.4	20	9.0	41.0	18	1075	0.9	1/8	10 x 4	1/3	44	350
51HWC184														
64HWC184														
38HWC244	208-230/60/1	197 - 253	17.5	25	10.9	54.0	18	1075	1.6	1/4	10 x 4	1/3	50	360
51HWC244														
64HWC244														
51HWC304	208-230/60/1	197 - 253	21.9	30	14.1	73.0	18	1075	1.8	1/4	10 x 4	1/3	59	380
64HWC304														

Blower Performance

Model	Blower Speed	CFM @ ext. static pressure - in. w.c. with filter(s)			
		0.2	0.3	0.4	0.5
HWC124	Hi	650	615	575	540
	Med	475	450	425	400
	Low	415	405	390	380
HWC184,244,304	Hi	875	825	775	725
	Med	850	805	760	710
	Low	630	605	575	550

Performance

Model	Cooling				Heating			
	Btuh	EER	S/T	CFM	Input Btuh	Output Btuh	AFUE	Temp. Rise Range °F
26HWC124	11,200	9.7	.72	400	26,000	20,000	80.0%	40-70
38HWC124	11,200	9.7	.72	400	38,000	30,000	80.0%	40-70
38HWC184	17,000	9.3	.72	600	38,000	30,000	80.0%	40-70
51HWC184	17,000	9.3	.72	600	51,000	40,000	80.0%	40-70
64HWC184	17,000	9.3	.72	600	64,000	50,000	80.0%	50-80
38HWC244	23,200	9.2	.74	800	38,000	30,000	80.0%	40-70
51HWC244	23,200	9.2	.74	800	51,000	40,000	80.0%	40-70
64HWC244	23,200	9.2	.74	800	64,000	50,000	80.0%	50-80
51HWC304	28,000	9.0	.74	875	51,000	40,000	80.0%	40-70
64HWC304	28,000	9.0	.74	875	64,000	50,000	80.0%	50-80

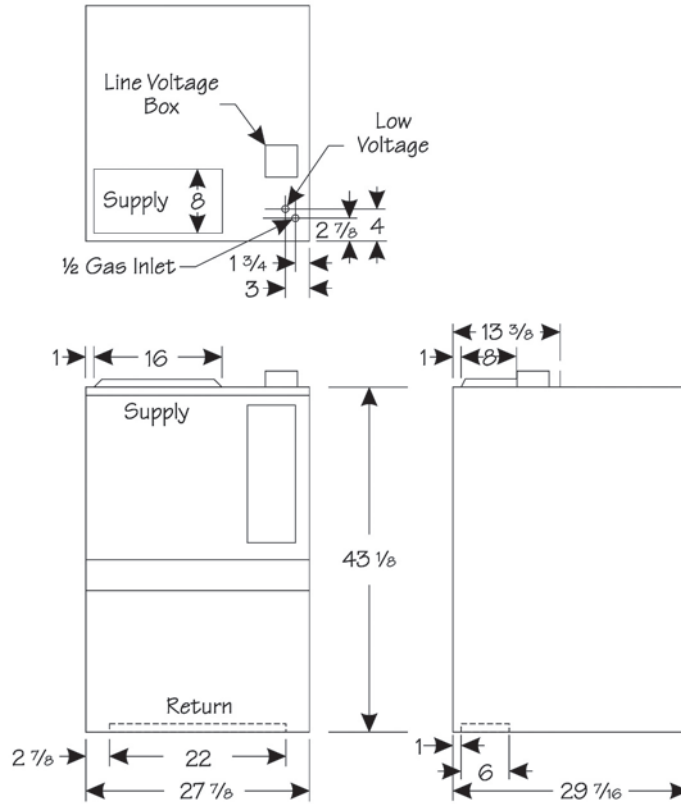
Sound Ratings

Model	Sound Rating (dBA)
26HWC124	76
38HWC124	76
38HWC184	76
51HWC184	76
64HWC184	76
38HWC244	80
51HWC244	80
64HWC244	80
51HWC304	80
64HWC304	80

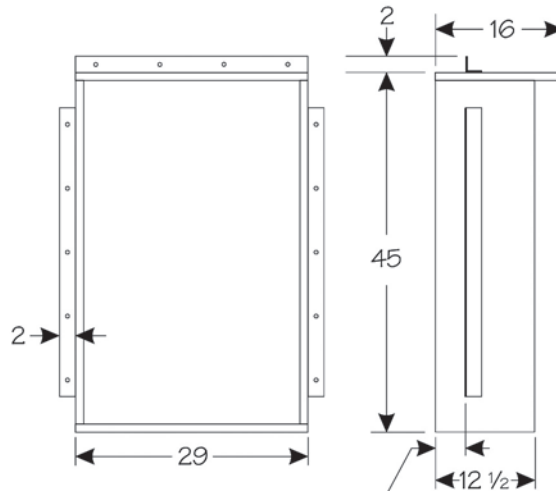
Accessories

Description	Kit Number	Where Used
Wall Sleeve	CA-239	All HWC's
Decorative External Louver	ALVR42-1	All HWC's
Chassis Adapter Kit	ADAPT420	All HWC's
Wall Sleeve Adapter Kit	A242	All HWC's
LP Kit	ALPKT389-2	All HWC's

Dimensions (in.)



Wall Sleeve (in.)



Flange may be assembled
1" or 3 3/4" from front of sleeve



215 Metropolitan Drive
West Columbia, SC 29170
800-448-5872
Product Support 866-282-7257

All specifications and illustrations
subject to change without notice
and without incurring obligations.