

# INSTALLATION INSTRUCTIONS

## Wall Sleeve Kits CA239 and CA241

### For Use With

## HW/HWC/EWC/PWC Series

## Magic-Pak Thru-the-Wall Unit

### **WARNING**

Improper installation, adjustment, service, or maintenance can cause property damage, personal injury, or death. Consult a qualified installer or service agency for information or assistance.

#### Parts List

Quantity	Description
1	Top Panel
1	Bottom Panel
1	Right Side Panel
1	Left Side Panel
2	Squaring Braces
1	Top Support Angle
2	Side Support Angles
24 (CA239) 36 (CA241)	#8 x 3/8" Screws
5	1/4"-14 x 3/4" Screws
5	1/4" Flat Washers
1	Installation Instructions

#### General

The wall sleeve is designed to facilitate the installation of Magic-Pak units by providing an accurate opening during building construction. The use of a wall sleeve allows units to remain off-site until building construction approaches completion.

The wall sleeve is comprised of four assemblies (top, bottom, and right and left sides) which easily slip together on the job to form a rectangular box correctly sized to receive a Magic-Pak unit.

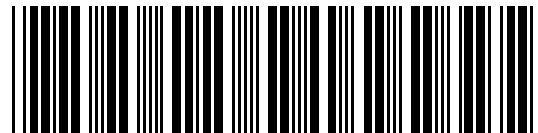
When in place and securely fastened, the wall sleeve opening provides easy access to the finished wall perimeter for caulk sealing.

The weatherseal caulking is easier to perform when the sleeve protrudes beyond the finished wall by 3/8" to 1".

#### Inspection of Shipment

If any damage to the contents of this kit is found at the time of delivery, proper notification should be made on the carrier's freight bill. Damage claims should be filed with the carrier at once. Claims of shortage should be filed with the manufacturer within 5 days.

Manufactured By  
**Allied Air Enterprises, Inc.**  
*A Lennox International Inc. Company*  
 215 Metropolitan Drive  
 Columbia, SC 29170



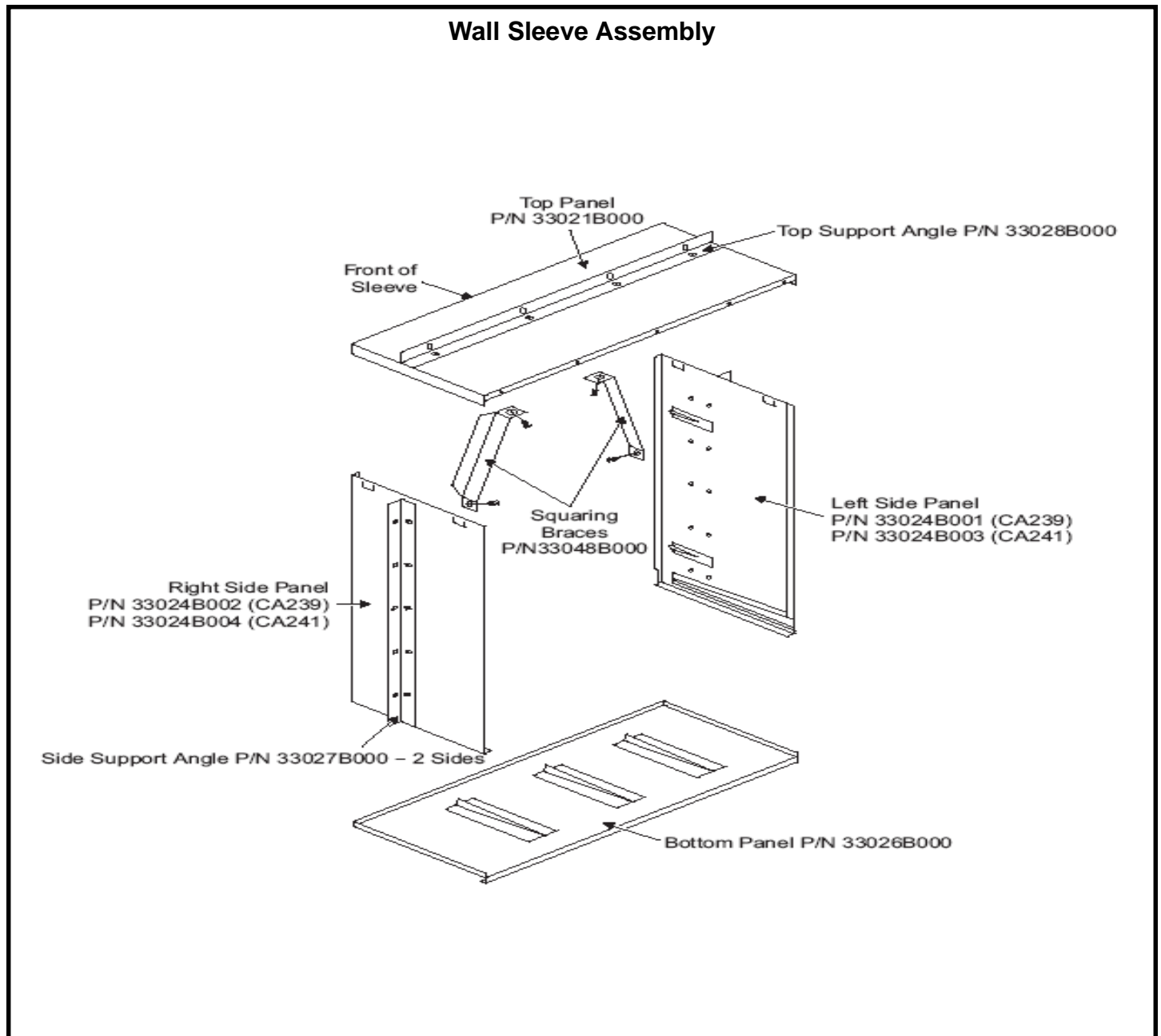
\*33030J007\*

## INSTALLATION

### Wall Sleeve Assembly

To assemble the wall sleeve, refer to the following instructions and Figure 1.

1. Slide top panel over side panels until retaining clips are engaged in slotted openings.
2. Place side and top assembly down with the front flange against floor and slide bottom panel into side panel slip strips until tabs on bottom panels are locked in place.
3. Attach squaring braces to top and side panels using existing holes. (Do not remove braces until wall sleeve is secured to building.)
4. Attach the support angles to top and side panels using the #8 x 3/8" screws provided. Two sets of holes are provided in the panels for attaching the support angles. Use the row of holes nearest the front of the sleeve to attach the support angles for 1" spacing or the second set of holes for 3-3/4" spacing.
5. Insert the five 1/4"-20 x 3/4" screws and washers into the five holes found on the back edge of the top panel. These screws will be used later to attach the Magic-Pak unit to the wall sleeve.
6. Caulk all seams where the bottom panel joins to the side panels including the front corners of the bottom panel and the top of side panel slip joints. Caulk sealing is best accomplished after the wall sleeve is assembled but before it is placed in the wall opening. Remaining final caulk sealing can be done just after



the sleeve is secured into the wall opening, if desired, to avoid breaking the seal during handling.

Further sealing against air infiltration must be done after the Magic-Pak unit is installed in the wall sleeve and utility connections have been completed (see Sealing/Weatherproofing Wall Sleeves section).

### Wall Sleeve Installation

The wall sleeve may be installed from either the inside or outside of the building.

**The wall sleeve must be square in opening before securing sleeve to building.** This is required to assure the Magic-Pak unit will slide into the sleeve.

Some builders will attach the wall sleeve to the support wall through the side support angles whether they are inserting the sleeve from the outside or the inside. Others will use the side angles simply as a locating "stop" to achieve the appropriate dimension while shooting fasteners through the sides of the wall sleeve into the supporting wall. In either case, **the wall sleeve must be fastened to the supporting wall** and not to the finished wall.

The sleeve may extend farther than 1" beyond the finished wall, but reaching the perimeter of the opening from inside for sealing becomes increasingly difficult. In any case, adequate safety precautions must be considered to protect personnel.

### Installing Wall Sleeve from Inside

The most popular method of installing the wall sleeve is from the inside of the building with the weather seal applied from the outside as the finish wall is applied.

### Installing Wall Sleeve from Outside

In many high-rise construction applications, contractors insert the wall sleeves from the outside while the wall is being constructed. The two-sided support angles should then be attached to the wall sleeve sides at a location that will exceed the thickness of the outside finish wall by the recommended 3/8" to 1" dimension.

For example, if the supporting wall is concrete block with a brick facing, there is usually a space between the block and the brick. This space dimension must be added to the width of the brick (plus 3/8" to 1") so that when the sleeve is inserted into the block wall opening, up to the angles and fastened to the block wall before the brick is installed, the sleeve will protrude beyond the finished brick by 3/8" to 1", as needed for caulk sealing.

The same applies if the supporting wall is wood frame. One may insert the sleeve from the outside up to the angles located on each side, allowing for the thickness of sheathing, finish siding, and caulk sealing.

### Recessed Sleeves

In some applications, where either the building walls are very thick (over 16") or architectural design dictates, units can be recessed. Avoid recessing the wall sleeve if the wall opening is required to be the same size as the wall sleeve opening. However, if the wall opening can be larger in vertical dimension than the wall sleeve so that the bottom can rest on a sill that is at least 2" higher than the bottom of the wall opening, some recessing is permitted.

This sill should be recessed further than the sleeve by 3/8" to 1" to permit weatherseal caulking along the bottom edge without plugging the drain holes in the sleeve.

The top of the wall opening should be above the top of the wall sleeve by a dimension equal to or greater than the amount of the recess in order to avoid restriction of the condenser discharge air.

### Sealing/Weatherproofing Wall Sleeves

A high grade, non-hardening caulking compound approved for exterior use must be applied outside around the perimeter of the wall sleeve and the finished wall. Caulk should also be applied around the sleeve's perimeter and the finished interior wall.

Final sealing against air infiltration must be done after the Magic-Pak unit is installed in the wall sleeve. For additional protection, the space between the unit and the wall sleeve should be sealed on all sides with a bead of sealant.

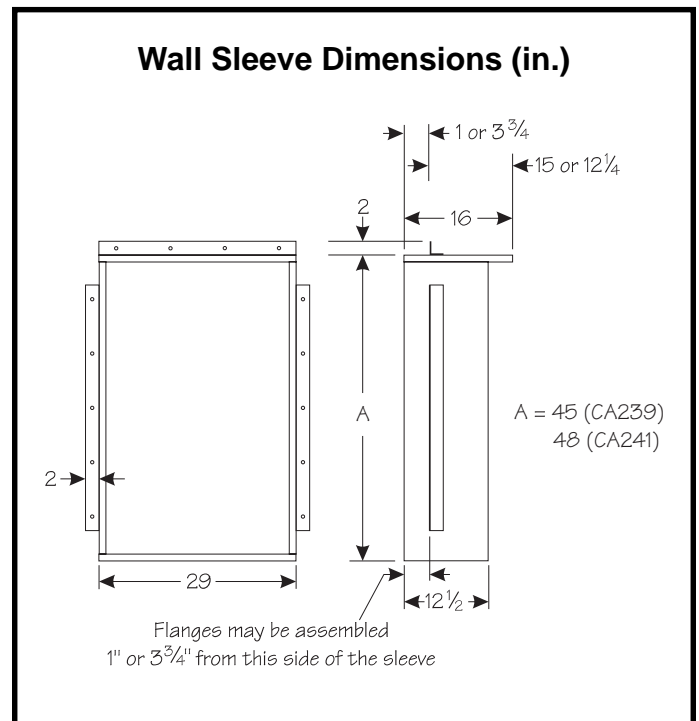


Figure 2