

# INSTALLATION INSTRUCTIONS

## ASLEEVEXT4-1,-2

### Wall Sleeve Extension Kit

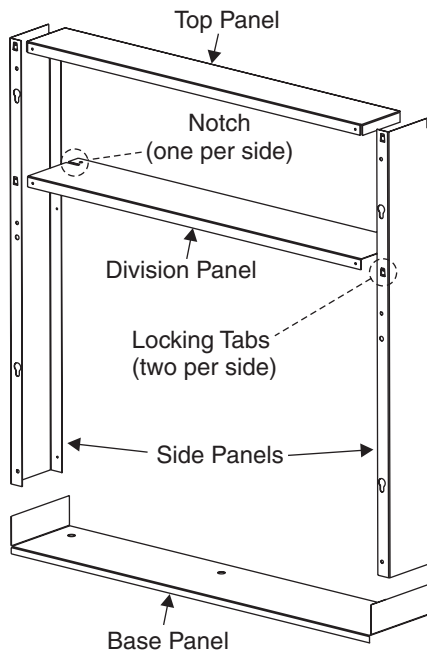
### For Use With

## ASLEEVE Wall Sleeve Kits

### **WARNING**

Improper installation, adjustment, service, or maintenance can cause property damage, personal injury, or death. Consult a qualified installer or service agency for information or assistance.

#### ASLEEVEXT4-1,-2 Sleeve Extension Exploded View



Save these instructions for future reference

#### General

The wall sleeve is designed to facilitate the installation of Magic-Pak® units by providing an accurate opening during building construction. The use of a wall sleeve allows units to remain off-site until building construction approaches completion. ASLEEVE wall sleeve kits are available in sizes from 2" to 12". The ASLEEVEXT4-1,-2 wall sleeve extension kit permits the use of a wall sleeve kit in a wall greater than 12" thick by allowing for a 4" extension to the wall sleeve.

A louver kit must be used along with the wall sleeve kit in all Magic-Pak® installations.

#### Inspection of Shipment

If any damage to the contents of this kit is found at the time of delivery, proper notification should be made on the carrier's freight bill. Damage claims should be filed with the carrier at once. Claims of shortage should be filed with the manufacturer within 5 days.

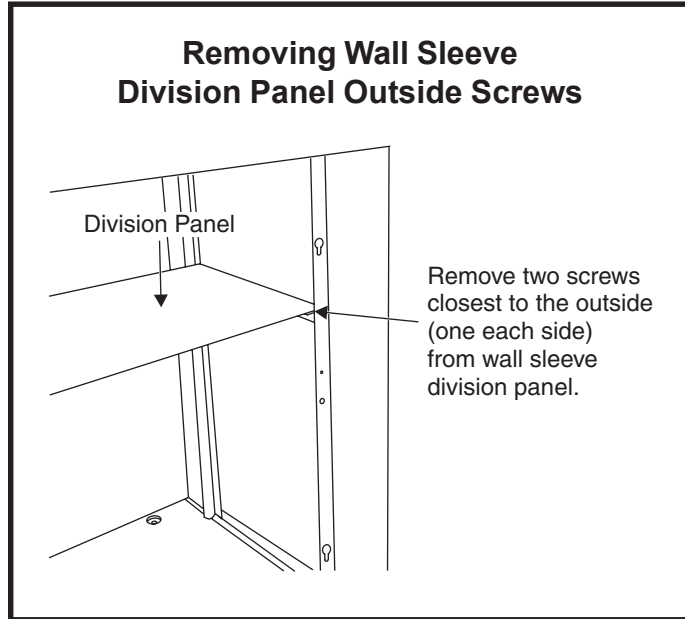
Manufactured By  
**A.A.C.**  
**A Lennox International Inc. Company**  
 421 Monroe Street  
 Bellevue, OH 44811



## INSTALLATION

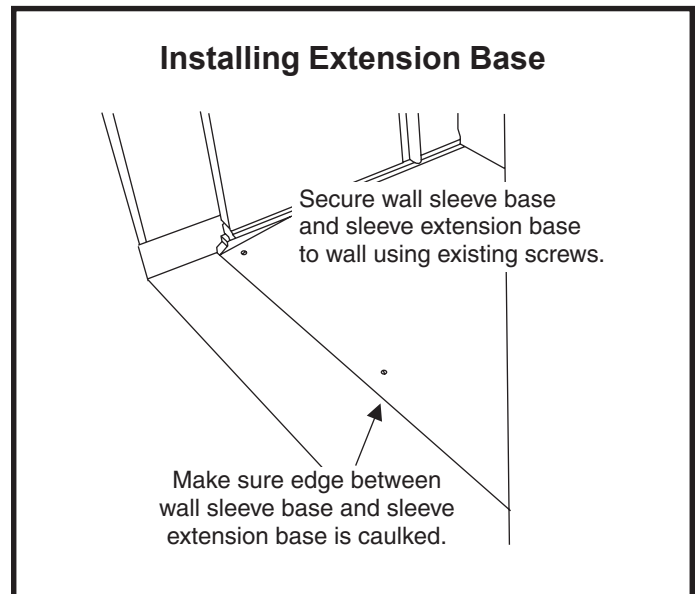
At the beginning of the installation of the extension kit, the ASLEEVE wall sleeve kit should be installed recessed into the wall 4".

1. Remove outside screws holding wall sleeve division panel to side panels as shown in Figure 1.

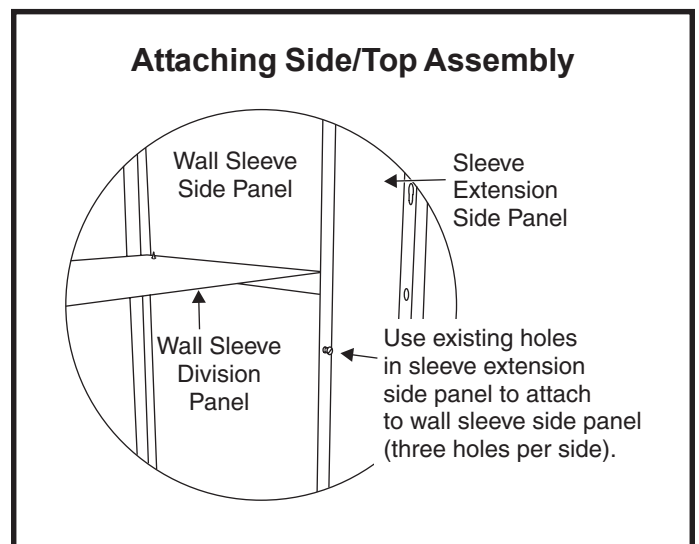


**Figure 1**

2. Remove the three screws from the front of the plastic base of the wall sleeve (see Figure 2). Slide base panel of sleeve extension underneath plastic base of wall sleeve, aligning screw holes in each. Base panel of sleeve extension should be flush with exterior of wall. Caulk between each surface. Use the three screws removed earlier to secure the wall sleeve base and sleeve extension base panel to wall opening.
3. Assemble sleeve extension side panels and top panels. Top panel snaps into locking tabs on side panels.
4. Position side/top assembly into the wall opening. Align side/top assembly with the top and side panel flanges of the wall sleeve. NOTE: Push assembly up as far as possible in wall opening in order to align all flanges, including wall sleeve top panel flanges.
5. Use self-drilling screws (supplied) to attach side/top assembly to wall sleeve side panels (three screws per side). Use the existing holes in the side panels of the sleeve extension for screw locations (see Figure 3). NOTE: Leave middle screw out of one of the side panels. This will ease in the installation of the sleeve extension division panel. Remaining screw will be installed after the division panel is in place.



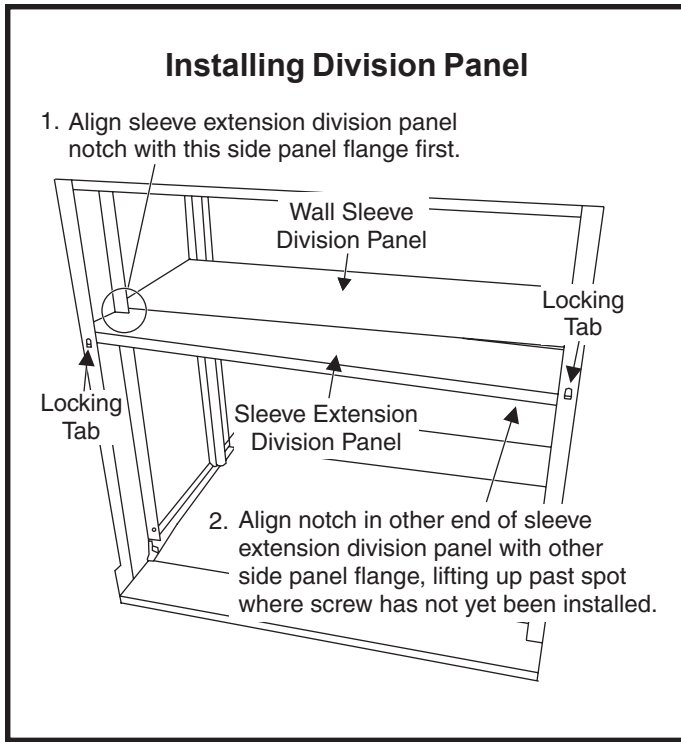
**Figure 2**



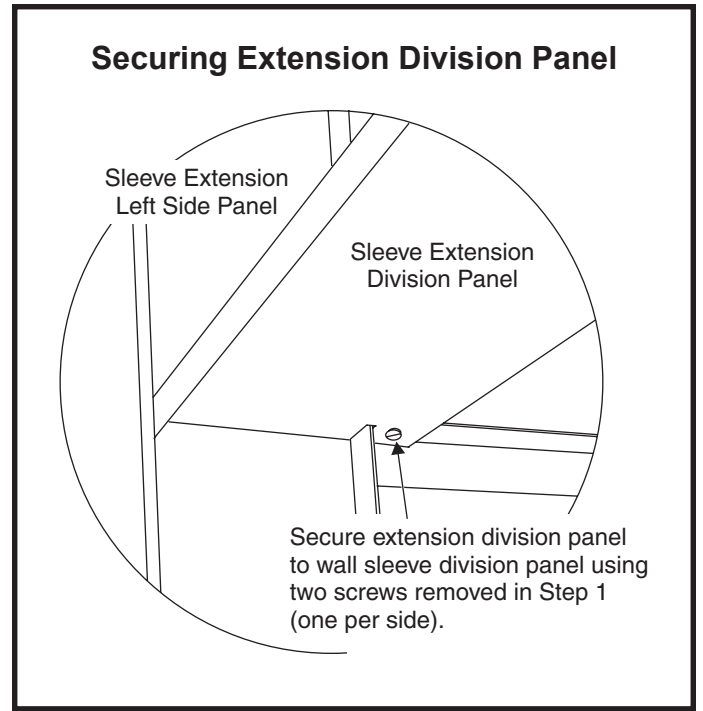
6. Install sleeve extension division panel (See Figure 4). Align notches in division panel so that they fit around wall sleeve side panel flanges. Sleeve extension division panel must be installed under the wall sleeve division panel.

NOTE: For ease of installation, this panel should be installed starting at an angle (from side to side). Once the notches in both sides are in place, push the sleeve extension division panel up under the bottom of the wall sleeve division panel and lock the flanges on the front of the extension division panel into the tabs of the extension side panels (as shown in Figure 5).

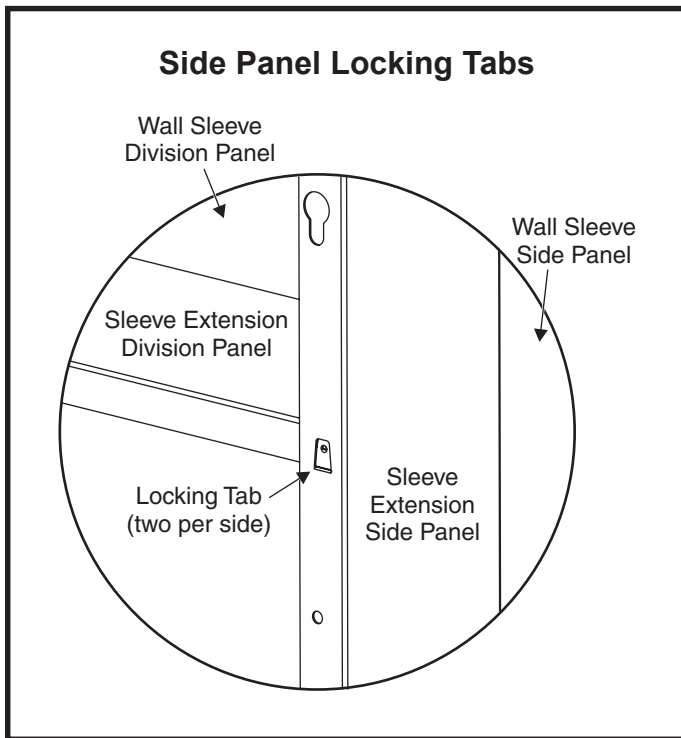
7. Using two screws removed in Step 1, attach the sleeve extension division panel to the wall sleeve division panel (see Figure 6).



**Figure 4**



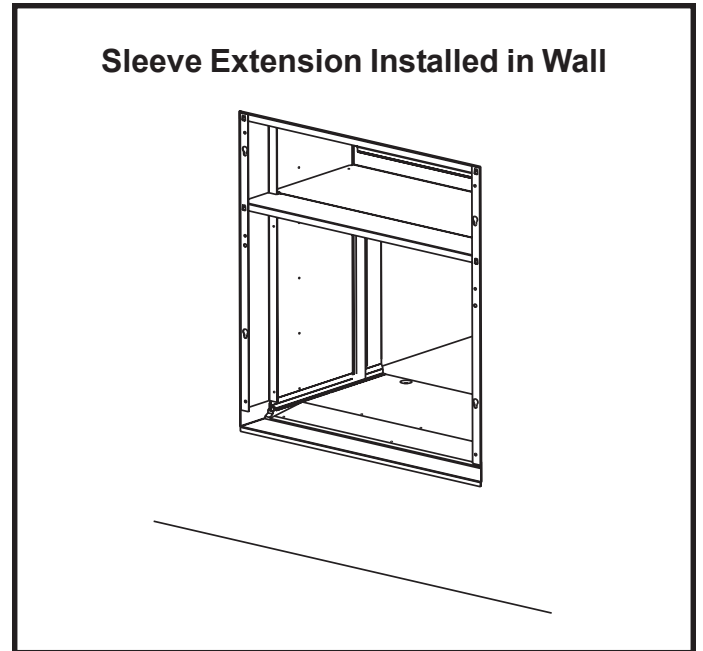
**Figure 6**



**Figure 5**

8. Install remaining middle screw of side panel that was not installed in Step 5.

Completed installation shown in Figure 7.



**Figure 7**

#### **MGE Package Unit Installations Only**

When installing an ASLEEVEXT4-1,-2 sleeve extension kit in a MGE gas heating/electric cooling package unit application, the vent pipe extension included with the sleeve extension kit must be used in place of the vent pipe extension included with the MGE unit.

Refer to the MGE Installation Instructions for information on installing the vent pipe extension. Figure 8 on page 4

shows which hole in the vent pipe extension should be used to extend the vent pipe to the proper length.

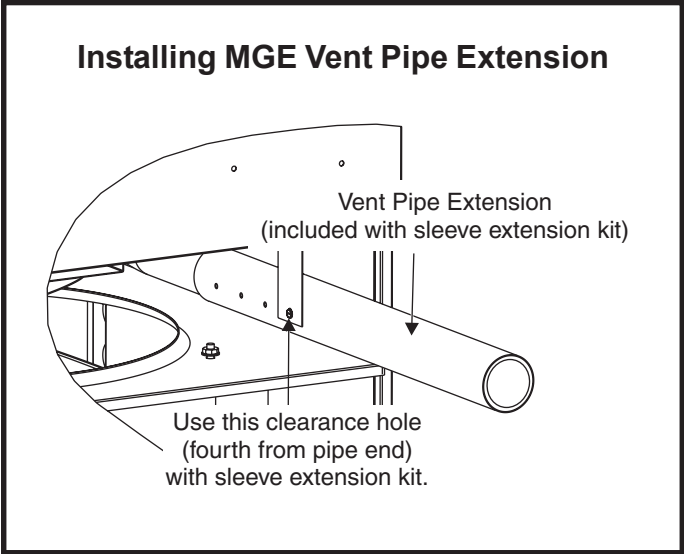


Figure 8