

# INSTALLATION INSTRUCTIONS

## ASLEEVE-3 Wall Sleeve Kit

### For Use With

## MCE/MHP10 (12,18) Models

## Magic-Pak Thru-the-Wall Unit

### **WARNING**

Improper installation, adjustment, service, or maintenance can cause property damage, personal injury, or death. Consult a qualified installer or service agency for information or assistance.

### **WARNING**

The Magic-Pak unit must be installed with approved wall sleeve and grille accessories for safe operation. Improper installations could result in property damage, personal injury, or death.

### **WARNING**

Adequate safety precautions should be taken to protect personnel. Improper installations could result in property damage, personal injury, or death.

### General

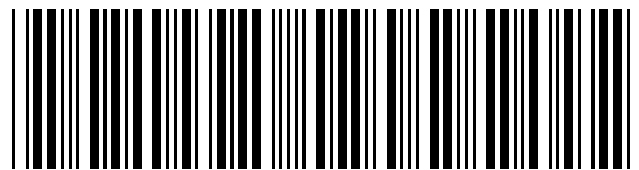
The wall sleeve is designed to facilitate the installation of Magic-Pak units by providing an accurate opening during building construction. The use of a wall sleeve allows units to remain off-site until building construction approaches completion.

A louver kit must be used along with the wall sleeve kit in all Magic-Pak installations. Louver kits are not included with the wall sleeve kits. See the **ACCESSORIES** section on page 7 for more information on the louver kits available.

### Inspection of Shipment

If any damage to the contents of this kit is found at the time of delivery, proper notification should be made on the carrier's freight bill. Damage claims should be filed with the carrier at once. Claims of shortage should be filed with the manufacturer within 5 days.

Manufactured By  
**A.A.C.**  
**A *Lennox International Company***  
421 Monroe Street  
Bellevue, OH 44811



Save these instructions for future reference

## INSTALLATION

Wall sleeve kit ASLEEVE-3 is designed for thru-the-wall applications only. MCE/MHP10 (12,18) units are the only models compatible with this wall sleeve kit.

To assemble and install the wall sleeve, refer to the following instructions. Everything needed to assemble and install the wall sleeve is included in the kit except deck screws, caulk, and flashing.

1. Inspect the wall opening. Make sure that it is the proper size (see the *Required Wall Opening* drawing on page 8).
2. Before the wall sleeve can be installed, a platform must be built to support the Magic-Pak unit. The platform may be constructed of plywood and 2 x 4's.

**Recommended Height of Platform:** The platform must be made level to the sill plate of the wall opening (see Figure 1). Minimum height of platform is 4".

**Recommended Width:** 30"

**Recommended Depth:** The platform depth must support the entire depth of unit.

3. Position wall sleeve base in wall opening (see Figure 2).  
NOTE: The notched edge on each front corner of the base must be positioned correctly. If an aluminum louver will be used in the installation, the notches must line up 1-1/4" back from the face of the outside wall. If a vinyl louver will be used, the notches must line up 1" from the face of the outside wall. Once base is in the correct position, attach base to platform using the two lag screws supplied with the kit (see Figure 3). Apply caulk and flash between the outside edge of the base and the sill plate of the wall opening. Use three 1-1/2" deck screws (field supplied) to attach front of base to platform (use existing holes).
4. Attach 3/4" plywood riser (supplied) to platform using 1-1/2" deck screws (see Figure 3). The riser must be installed as it is used to level the platform with the base.
5. Position the top panel in the wall opening with the side flanges pointing down (see Figure 3). The lead edge of the top panel must be set back from the face of the outside wall the same distance as the notches of the wall sleeve base are (see Step 3). Mount top panel to wall with three deck screws. After top panel is mounted, caulk and flash top panel along the outside wall.
6. Each wall sleeve side panel has three tabs which interlock with three notches cut into each side of the base (see Figure 4). Before attaching the side panels into the base, caulk along each side of the base where the side panel will interlock with the base. After the base has been caulked, install each side panel into the

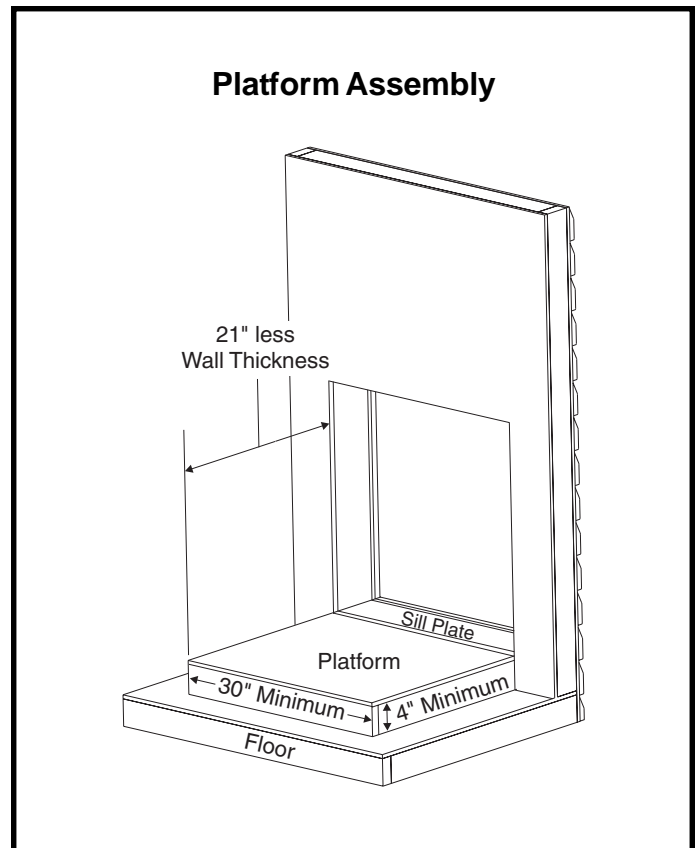


Figure 1

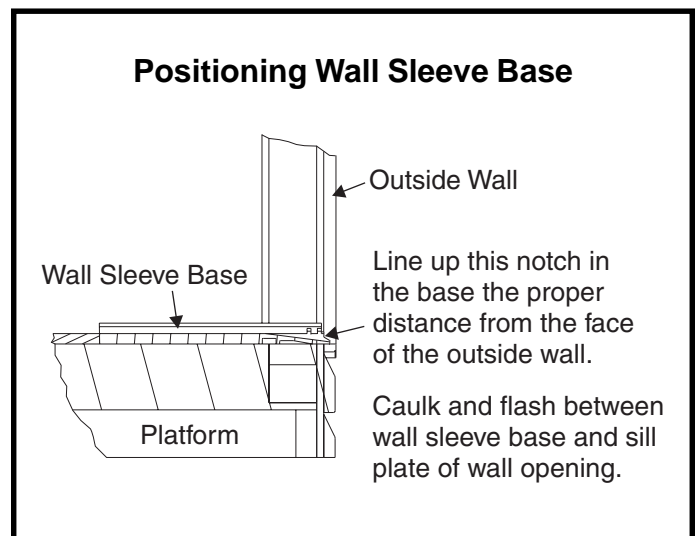
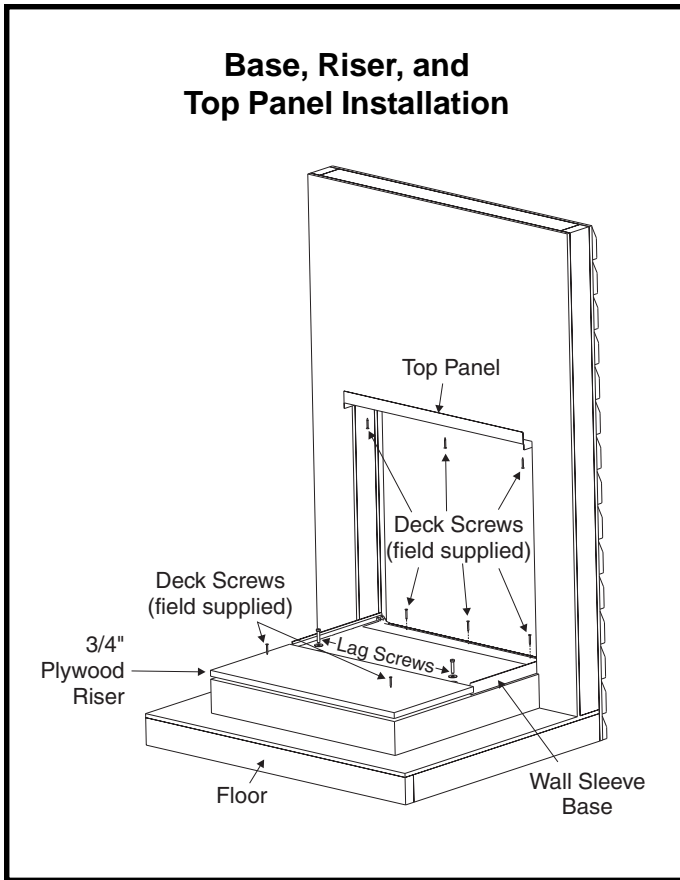


Figure 2

base. The side panels should fit tightly into the base and top panel. Secure the side panels to the top panel using two sheet metal screws (supplied) on each side (see Figure 5). After the side panels have been secured to the top, caulk where the top and side panels meet.

7. Insert the template through the assembled wall sleeve into the wall opening (see Figure 6 on page 4). The Magic-Pak logo should face the outside. Once the template is fully inserted, it can be used to check the

### Base, Riser, and Top Panel Installation



**Figure 3**

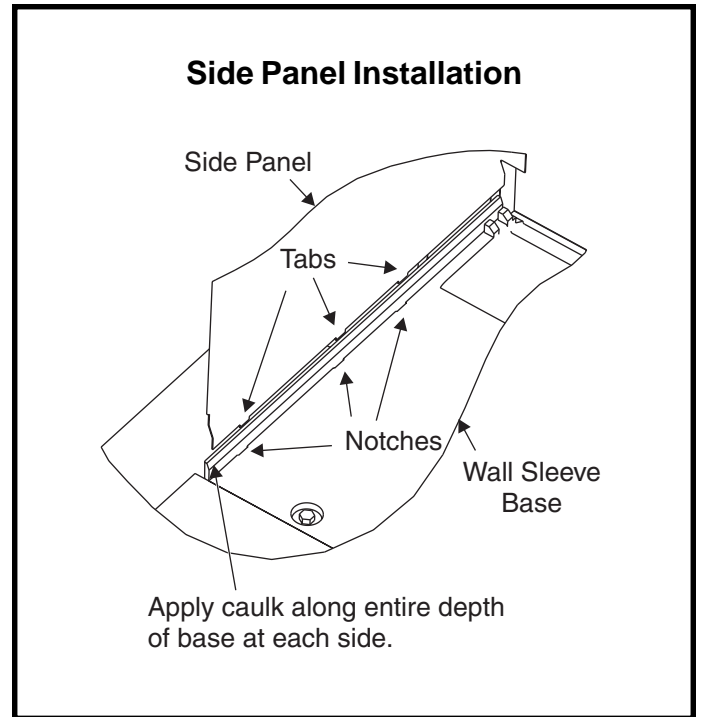
wall sleeve for square installation. Shim wall sleeve to wall, if necessary.

8. After it has been determined that the wall sleeve is mounted and square, remove the template and set aside temporarily. Apply caulk and flashing between the wall sleeve and outside wall. Apply caulk over the deck screws used to mount the base to the wall.
9. After the caulking and flashing has been completed, re-insert the template through the assembled wall sleeve into the wall opening (see Figure 6 on page 4). The Magic-Pak logo should face the outside. The template must be removed prior to louver grille installation. See **ACCESSORIES** on page 7 for louver grille information.

#### **WARNING**

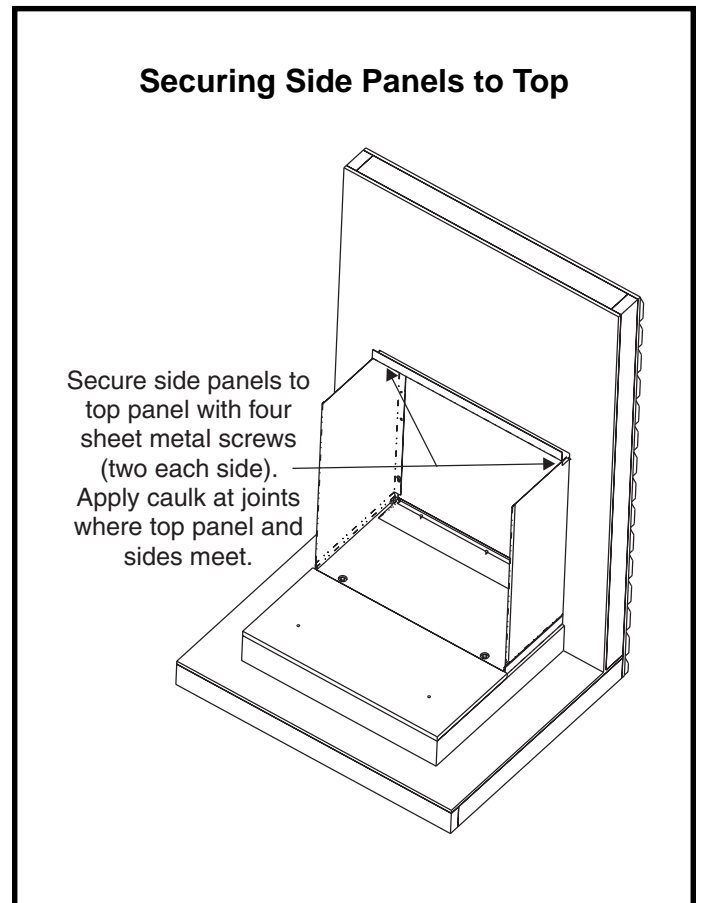
The Magic-Pak unit must be installed with approved wall sleeve and grille accessories for safe operation. Improper installations could result in property damage, personal injury, or death.

### Side Panel Installation



**Figure 4**

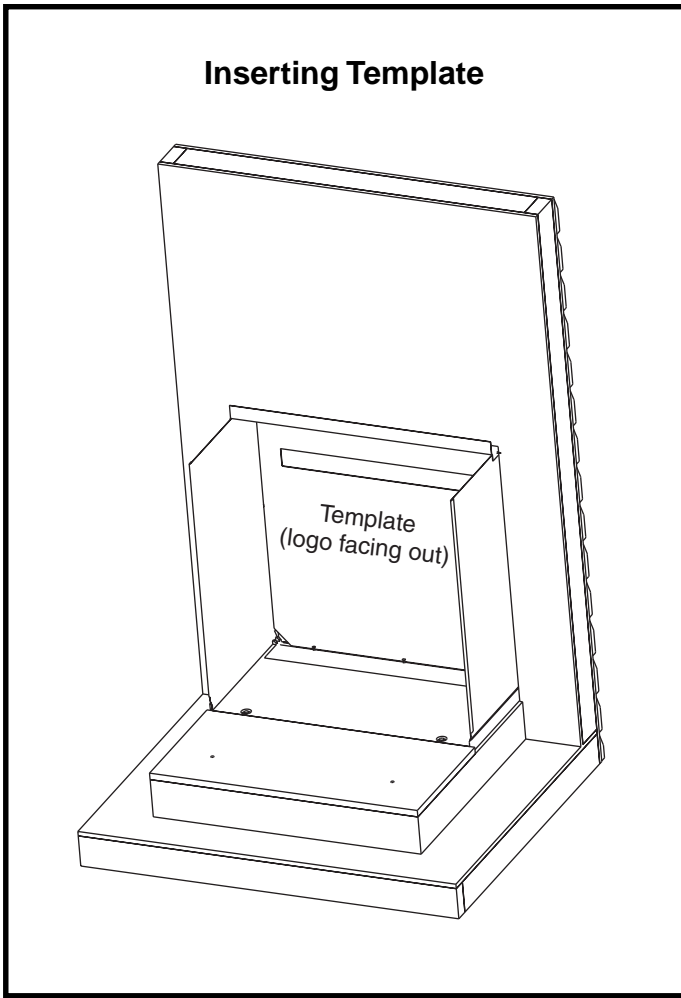
### Securing Side Panels to Top



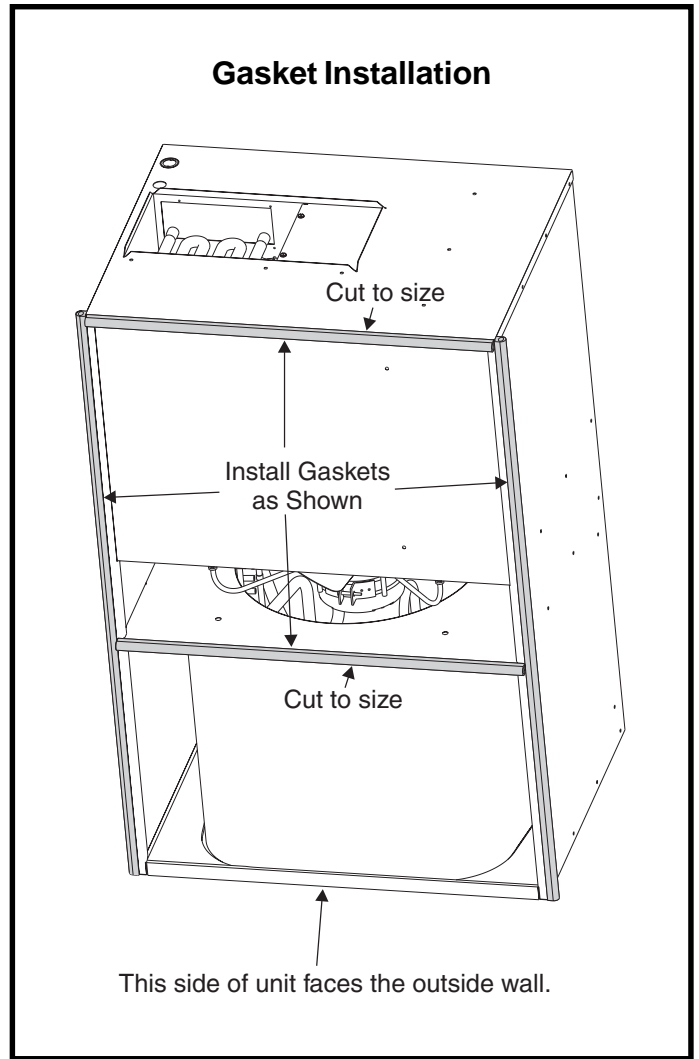
**Figure 5**

Magic-Pak unit to create a seal between the wall sleeve and the unit. See **Gasket Installation** on page 4 for information on preparing the unit for installation into the wall sleeve.

The wall sleeve kit is now completely installed. This thru-the-wall installation requires that gaskets be affixed to the



**Figure 6**



**Figure 7**

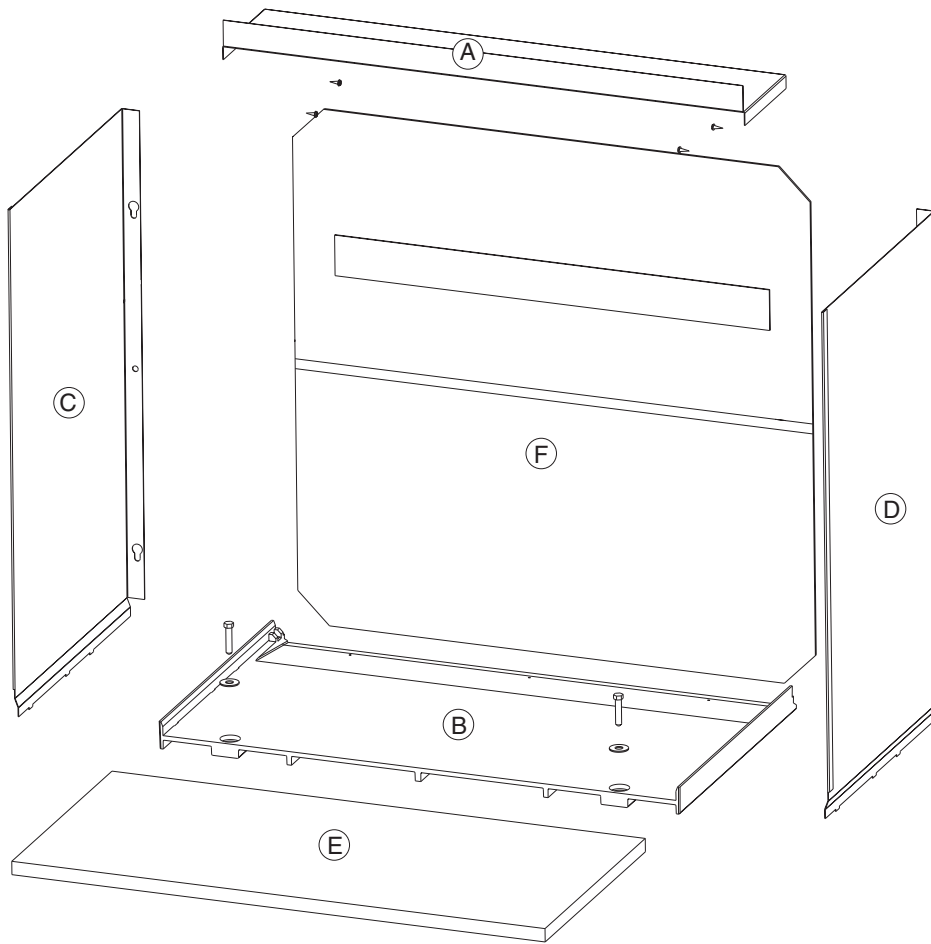
**Gasket Installation**

This kit includes two gaskets. These gaskets will need to be attached to the Magic-Pak unit prior to it being placed into the wall sleeve. Refer to the following instructions and Figure 7 to install the gaskets onto the unit.

1. Two gaskets are included with this ASLEEVE-3 wall sleeve kit. Each gasket is approximately 43" long. Peel and affix these gaskets along each side of the unit as shown in Figure 7. Gaskets should be placed on the furthest edge of each side of the unit, closest to the outside wall.
2. Remove two of the four gaskets supplied with the MCE/MHP Magic-Pak unit. Cut the two gaskets to size and affix the gaskets as shown in Figure 7. Discard the remaining two gaskets.

Refer to the Installation Instructions included with the Magic-Pak unit for further information on installing the unit into the wall sleeve.

## PARTS



| Quantity | Letter | Description               |
|----------|--------|---------------------------|
| 1        | A      | Top Panel                 |
| 1        | B      | Base                      |
| 1        | C      | Left Side Panel           |
| 1        | D      | Right Side Panel          |
| 1        | E      | 3/4" Plywood Riser        |
| 1        | F      | Template                  |
| 2        | --     | Gaskets                   |
| 2        | --     | Lag Screws and Washers    |
| 4        | --     | Sheet Metal Screws        |
| 1        | --     | Installation Instructions |

## ACCESSORIES

### Wall Sleeve Kits

| Kit No.     | Description                    | Used With  |
|-------------|--------------------------------|--|
| ASLEEVE-3*  | Wall Sleeve Kit (45" Louver)   | Magic-Pak 10 SEER - 1 and 1.5 Ton Units  |
| ASLEEVE6-1  | 6" Wall Sleeve Kit             | Magic-Pak 10 SEER - All Units<br>Magic-Pak 12 SEER - 1, 1.5, and 2 Ton Units           |
| ASLEEVE6-2  | 6" Wall Sleeve Kit             | Magic-Pak 12 SEER - 2.5 Ton Units  |
| ASLEEVE8-1  | 8" Wall Sleeve Kit             | Magic-Pak 10 SEER - All Units<br>Magic-Pak 12 SEER - 1, 1.5, and 2 Ton Units           |
| ASLEEVE8-2  | 8" Wall Sleeve Kit             | Magic-Pak 12 SEER - 2.5 Ton Units  |
| ASLEEVE12-1 | 12" Wall Sleeve Kit            | Magic-Pak 10 SEER - All Units<br>Magic-Pak 12 SEER - 1, 1.5, and 2 Ton Units           |
| ASLEEVE12-2 | 12" Wall Sleeve Kit            | Magic-Pak 12 SEER - 2.5 Ton Units  |
| ASLEEVE6-3  | 6" Wall Sleeve for 45" Louver  | Magic-Pak 10 SEER - 2 and 2.5 Ton Units<br>Magic-Pak 12 SEER - 1, 1.5, and 2 Ton Units |
| ASLEEVE8-3  | 8" Wall Sleeve for 45" Louver  | Magic-Pak 10 SEER - 2 and 2.5 Ton Units<br>Magic-Pak 12 SEER - 1, 1.5, and 2 Ton Unit  |
| ASLEEVE12-3 | 12" Wall Sleeve for 45" Louver | Magic-Pak 10 SEER - 2 and 2.5 Ton Units<br>Magic-Pak 12 SEER - 1, 1.5, and 2 Ton Unit  |
| ASLEEVE6-4  | 6" Wall Sleeve for 45" Louver  | Magic-Pak 12 SEER - 2.5 Ton Units  |
| ASLEEVE8-4  | 8" Wall Sleeve for 45" Louver  | Magic-Pak 12 SEER - 2.5 Ton Units  |
| ASLEEVE12-4 | 12" Wall Sleeve for 45" Louver | Magic-Pak 12 SEER - 2.5 Ton Units  |

\* Thru-the-wall installations only

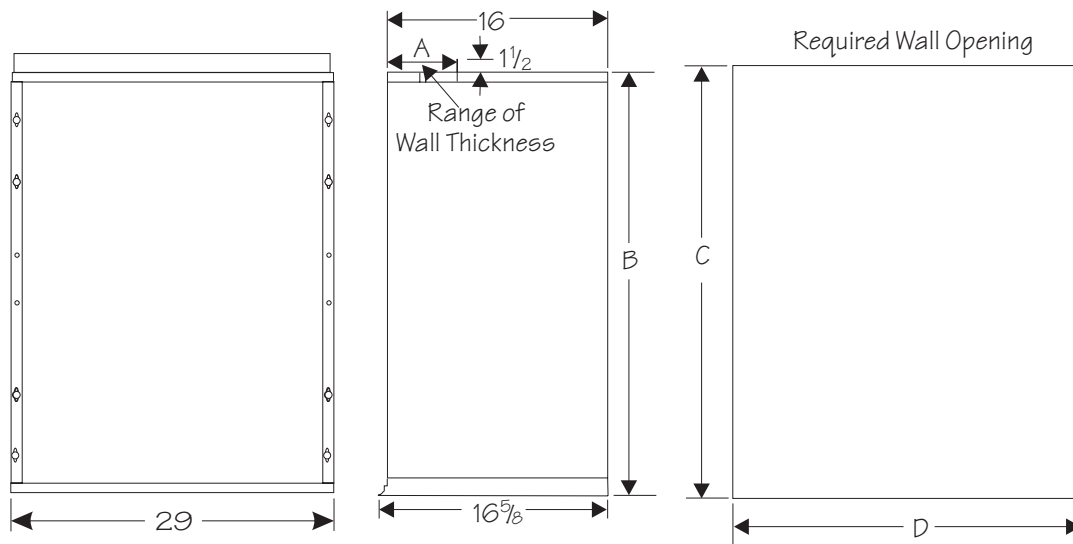
## Louver Kits

| Kit No.     | Description                               | Used With  |
|-------------|---|--|
| ALVRPWHT-1  | Polypropylene Louver Kit (White)          | Magic-Pak 10 SEER - All Units<br>Magic-Pak 12 SEER - 1, 1.5, and 2 Ton Units |
| ALVRPWHT-2  | Polypropylene Louver Kit (White)          | Magic-Pak 12 SEER - 2.5 Ton Units  |
| ALVRPSAN-1  | Polypropylene Louver Kit (Sandstone)      | Magic-Pak 10 SEER - All Units<br>Magic-Pak 12 SEER - 1, 1.5, and 2 Ton Units |
| ALVRPSAN-2  | Polypropylene Louver Kit (Sandstone)      | Magic-Pak 12 SEER - 2.5 Ton Units  |
| ALVRPBGE-1  | Polypropylene Louver Kit (Beige)          | Magic-Pak 10 SEER - All Units<br>Magic-Pak 12 SEER - 1, 1.5, and 2 Ton Units |
| ALVRPBGE-2  | Polypropylene Louver Kit (Beige)          | Magic-Pak 12 SEER - 2.5 Ton Units  |
| ALVRPTPST-1 | Polypropylene Louver Kit (Taupestone)     | Magic-Pak 10 SEER - All Units<br>Magic-Pak 12 SEER - 1, 1.5, and 2 Ton Units |
| ALVRPTPST-2 | Polypropylene Louver Kit (Taupestone)     | Magic-Pak 12 SEER - 2.5 Ton Units  |
| ALVRAL-1    | Extruded Aluminum Louver Kit              | Magic-Pak 10 SEER - All Units<br>Magic-Pak 12 SEER - 1, 1.5, and 2 Ton Units |
| ALVRAL-2    | Extruded Aluminum Louver Kit              | Magic-Pak 12 SEER - 2.5 Ton Units  |
| ALVRAL-3    | Extruded Aluminum Louver Kit (45" Height) | Magic-Pak 10 SEER - All Units<br>Magic-Pak 12 SEER - 1, 1.5, and 2 Ton Units |
| ALVRAL-4    | Extruded Aluminum Louver Kit (45" Height) | Magic-Pak 12 SEER - 2.5 Ton Units  |

## Wall Sleeve Dimensions (in.)

| Kit No.     | A  | B      | C      | D      |
|-------------|----|--------|--------|--------|
| ASLEEVE6-1  | 6  | 29     | 29-1/8 | 29-1/8 |
| ASLEEVE6-2  | 6  | 32-3/4 | 32-7/8 | 29-1/8 |
| ASLEEVE6-3  | 6  | 45     | 45-1/8 | 29-1/8 |
| ASLEEVE6-4  |    |        |        |        |
| ASLEEVE8-1  | 8  | 29     | 29-1/8 | 29-1/8 |
| ASLEEVE8-2  | 8  | 32-3/4 | 32-7/8 | 29-1/8 |
| ASLEEVE8-3  | 8  | 45     | 45-1/8 | 29-1/8 |
| ASLEEVE8-4  |    |        |        |        |
| ASLEEVE12-1 | 12 | 29     | 29-1/8 | 29-1/8 |
| ASLEEVE12-2 | 12 | 32-3/4 | 32-7/8 | 29-1/8 |
| ASLEEVE12-3 | 12 | 45     | 45-1/8 | 29-1/8 |
| ASLEEVE12-4 |    |        |        |        |
| ASLEEVE-3*  | *  | 45     | 45-1/8 | 29-1/8 |

\* Thru-the-wall installations only



**NOTE: Bottom surface of wall opening must be at least 4" off the floor.**